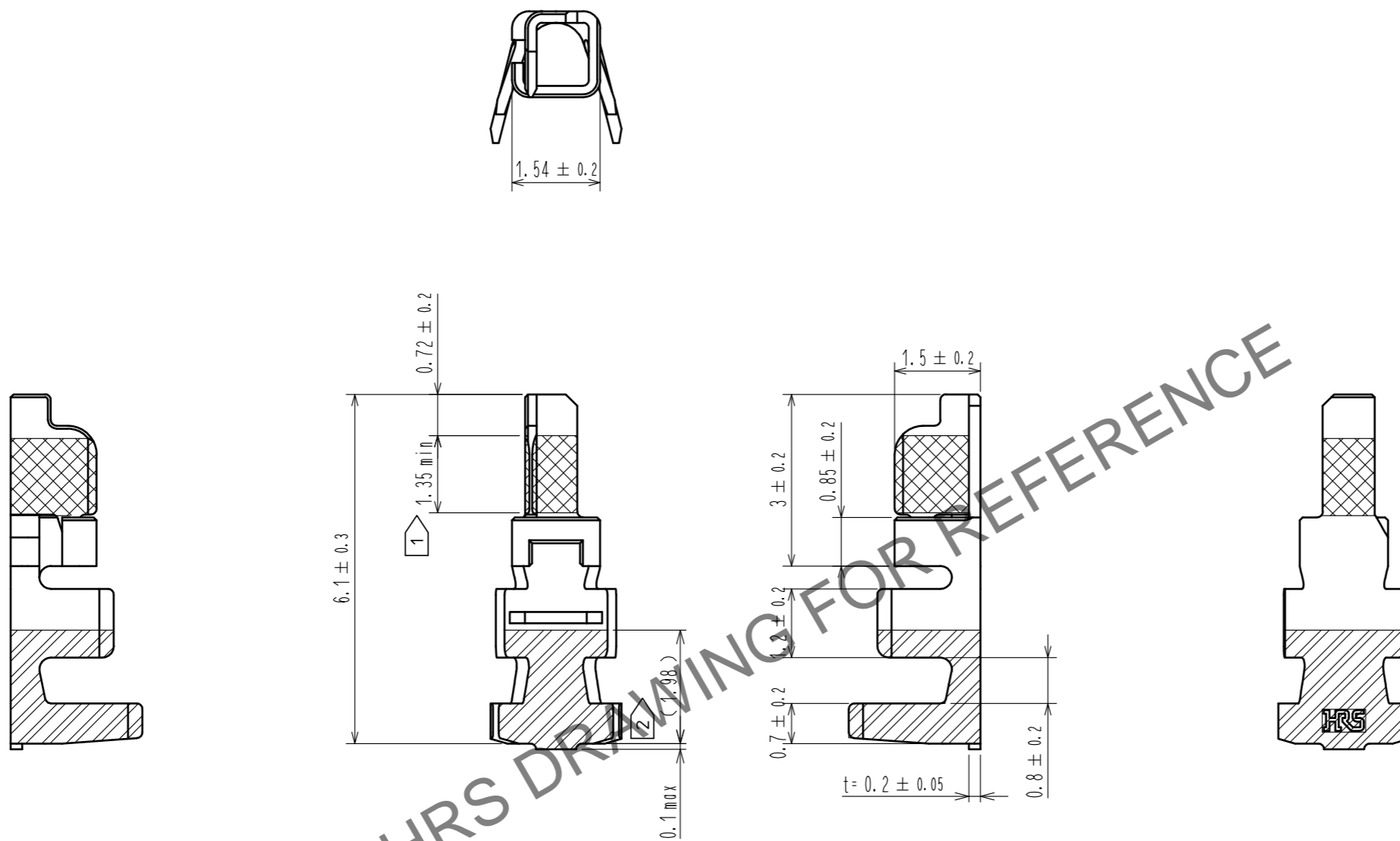


Apr.1.2024 Copyright 2024 HIROSE ELECTRIC CO., LTD. All Rights Reserved.
 In case of consideration for using Automotive equipment / device which demand high reliability, kindly contact our sales window correspondents.



NOTE. 1 GOLD PLATING AREA POSITION.
 2 TIN PLATING AREA POSITION.
 3 1PACK : 100 CONTACTS.
 4 UL(FILE NO. E52653),
 C-UL(FILE NO. E52653) APPROVED PRODUCT.



1	PHOSPHOR BRONZE	1 CONTACT AREA : GOLD PLATING 0.2 μm MIN 2 BARREL AREA : TIN PLATING 1μm MIN OTHERS : NICKEL PLATING 0.5 μm MIN
---	-----------------	---

NO.	MATERIAL	FINISH . REMARKS	NO.	MATERIAL	FINISH . REMARKS
UNITS mm		SCALE 5 : 1	COUNT 	DESIGNED	CHECKED
HRS HIROSE ELECTRIC CO., LTD.		APPROVED : HS. OKAWA 16.05.18	DRAWING NO. EDC-339703-00-00		
		CHECKED : TS. FUKUSHIMA 16.05.18	PART NO. DF59-22PCA		
		DESIGNED : TS. KUMAZAWA 16.05.18	CODE NO. CL667-0022-0-00		
		DRAWN : TS. KUMAZAWA 16.05.18	1/1		